

ANPM-013A40 L-band Antenna Array, 1.2 - 1.4 GHz

Features:

- High Power Handling
- Return Loss: 15 dB min
- Broadband
- Random Available
- High Power Combiner Installation Available

Electrical Specifications:

- Passband Frequency: 1.2 - 1.4 GHz
- Gain: 11 dBi
- Beamwidth: (E/H): 68 x 26 deg
- Cross Polarization Deviation: 25 dB

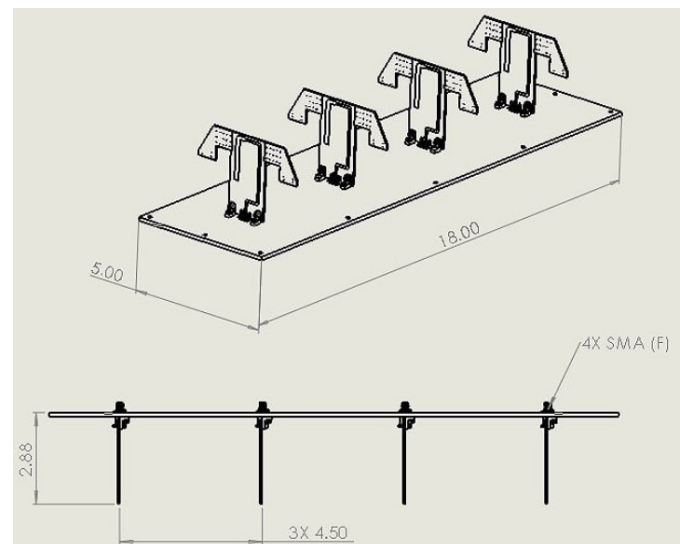
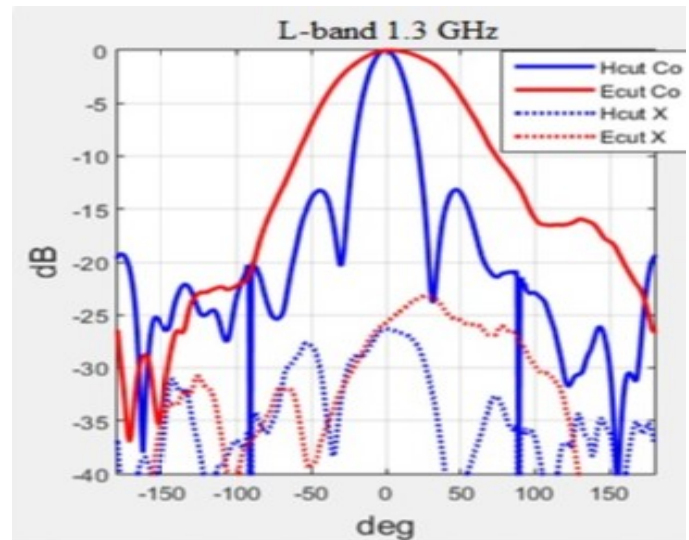
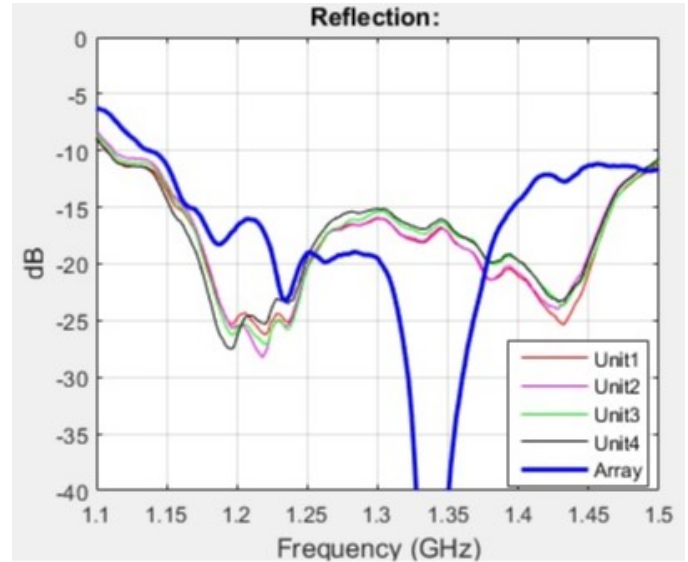
Mechanical Specifications:

- Antenna Element Spacing: 4.5"
- Port: SMA (F)
- Size: 18.00" (L) x 5.00" (W) x 2.90" (H)
- Weight: 1.3 lbs
- Material: FR-4 with Aluminum Base Plate
- Outline: TRCW006-OL00 RevA

Outline Drawing: ANPM001-OL00



Note: "ANPM-013A40 with High Power Combiner"



Note: Raytech Inc. reserves the right to change the information presented without notice.